

Figure A

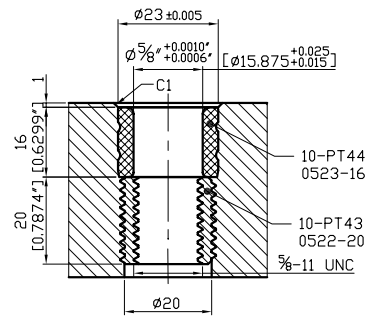
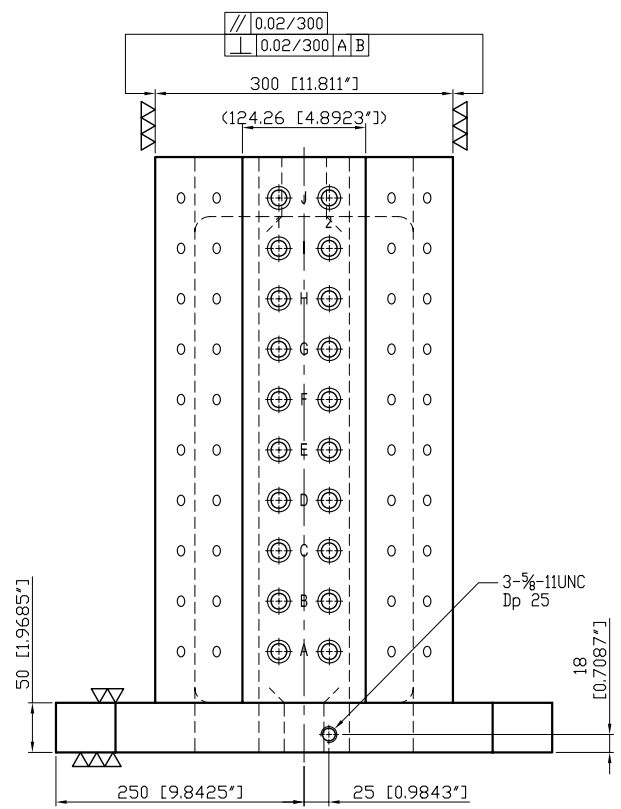
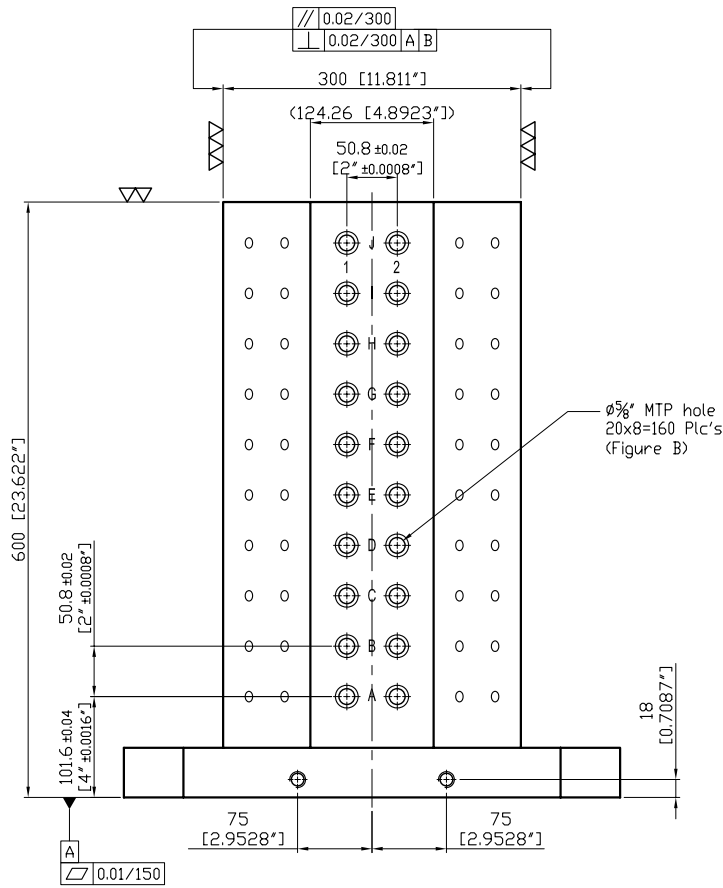


Figure B



Material FC300 CAST IRON		Heat treatment Annealing Process		Surface treatment		
Drafted by S.C.H	Checked by	Approved by	Scale 1/1	Date 2008.10.22	Sheet 1/1	Edition A
			TITLE OCTAGONAL CUBE			
			DWG.ND. 10-BP34-500500-0600-5			