

Figure A

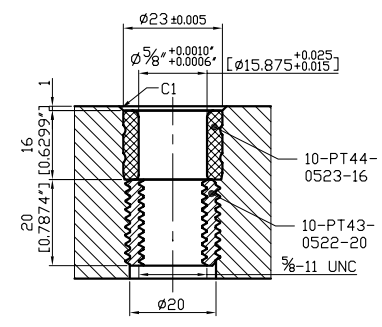
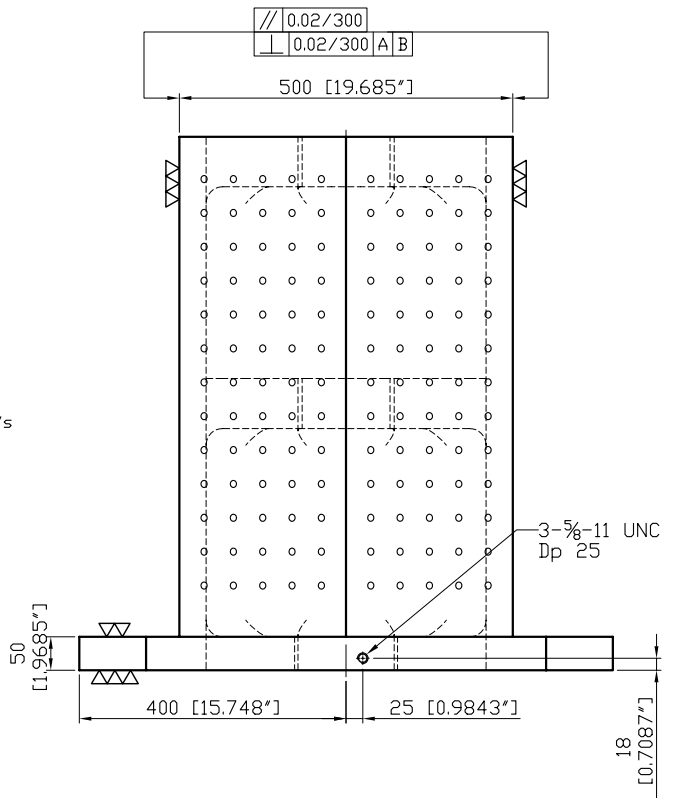
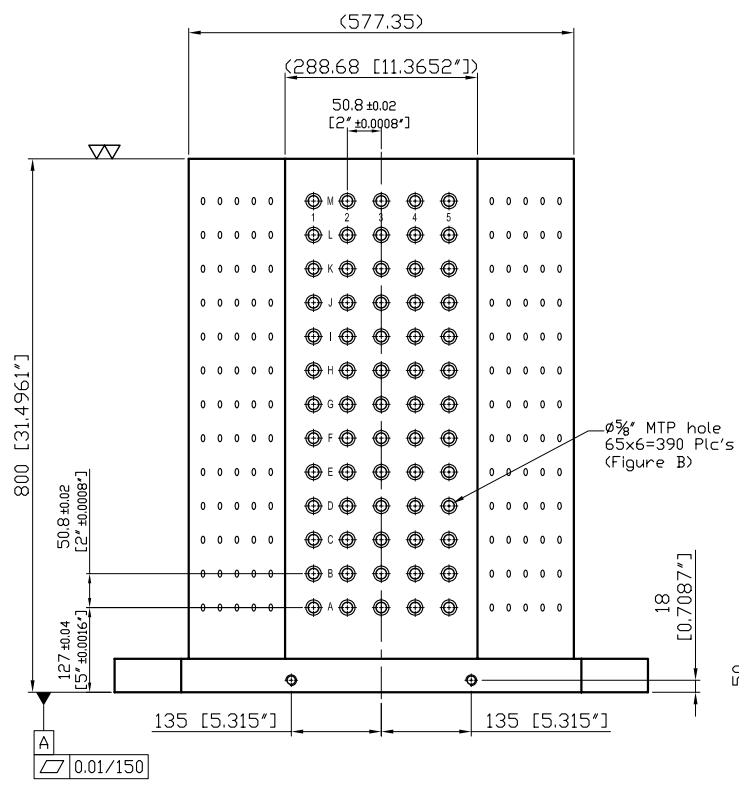


Figure B



Material FC300 CAST IRON		Heat treatment Annealing Process		Surface treatment		
Drafted by S.C.H	Checked by	Approved by	Scale 1/1	Date 2008.08.15	Sheet 1/1	Edition A
			TITLE HEXAGONAL CUBE			
			DWG.ND. 10-BP32-800800-0800-5			