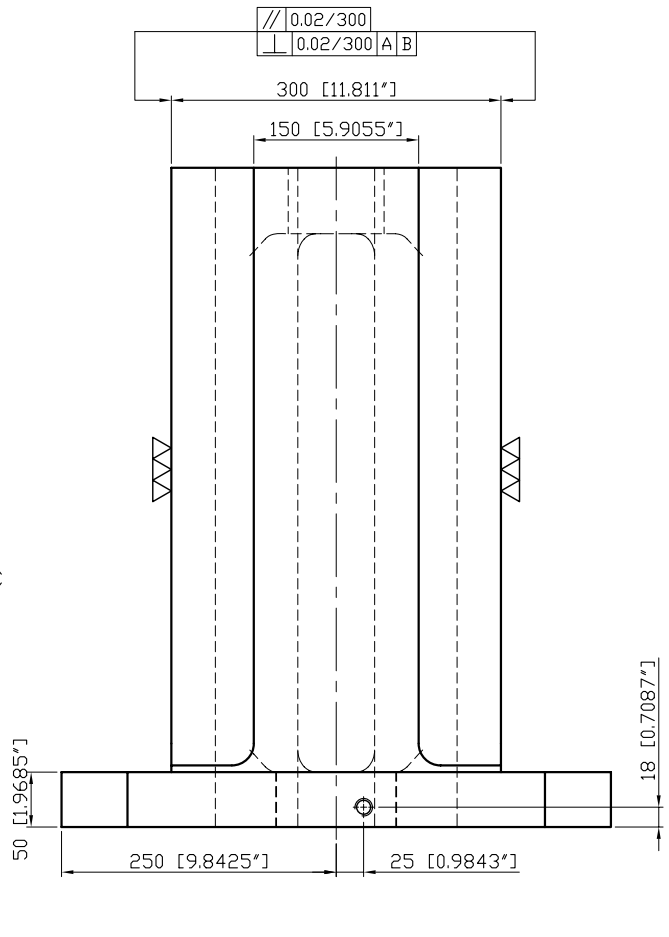
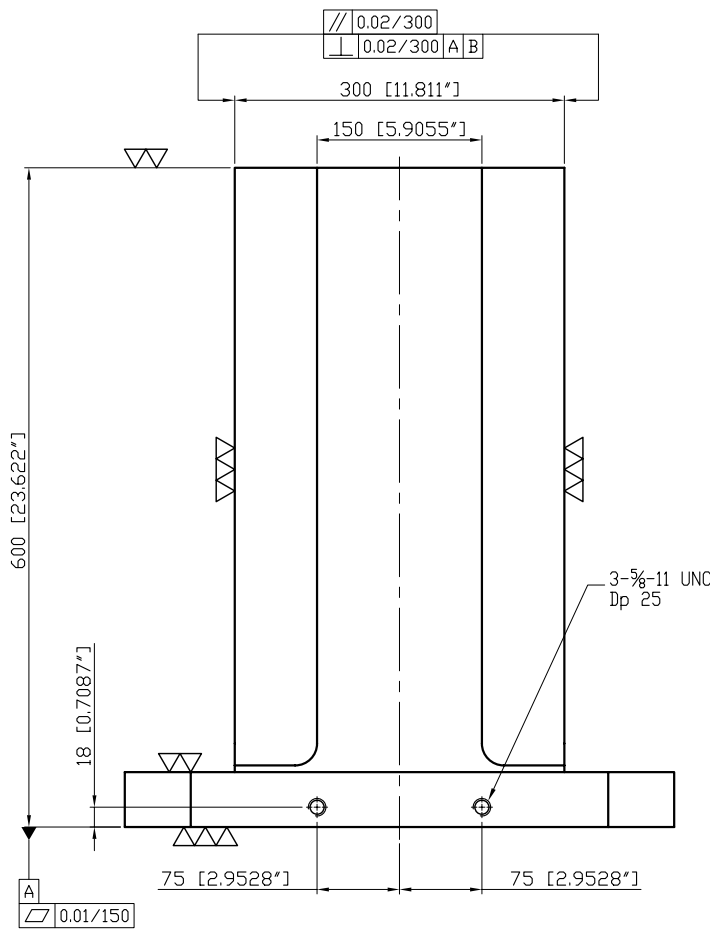



Figure A



Material FC300 CAST IRON		Heat treatment Annealing Process		Surface treatment		
Drafted by S.C.H	Checked by	Approved by	Scale 1/1	Date 2008.03.03	Sheet 1/1	Edition A
 LEAVE INDUSTRIAL CO., LTD.			TITLE CROSS TOOLING COLUMN			
			DWG.ND. 10-BP29-500500-0600			