

Figure A

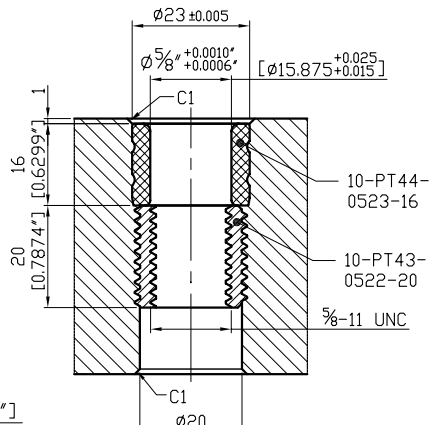


Figure B

\*Edge chamfered C2

Material FC300 CAST IRON		Heat treatment Annealing Process			Surface treatment		
Drafted by S.C.H	Checked by	Approved by	Scale 1/1	Date 2009.06.08	Sheet 1/1	Edition B	
			TITLE M/C BASE PLATE				
			DWG.ND. 10-BP15-50800-0800-5				