

Figure A

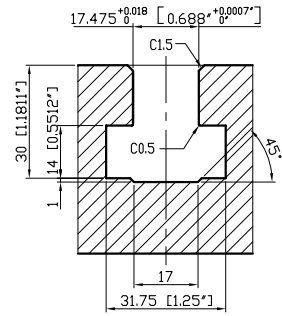
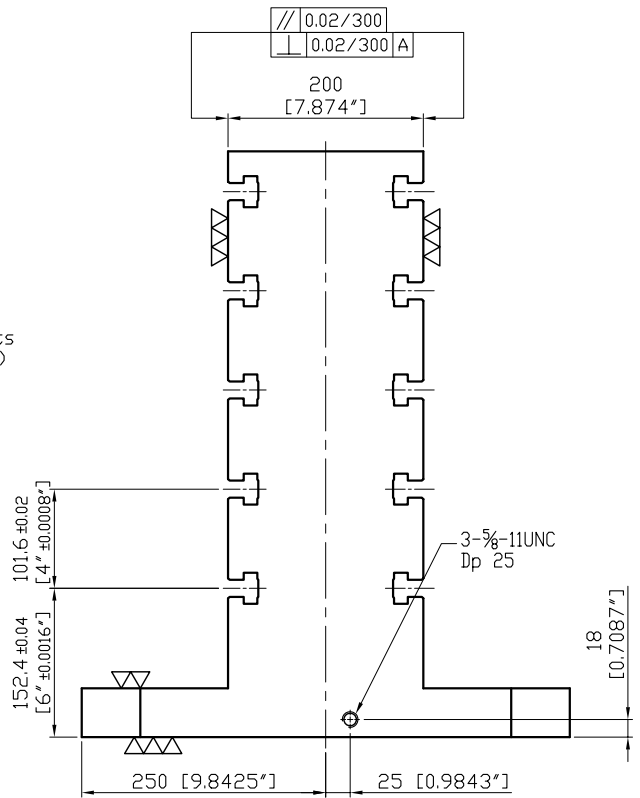
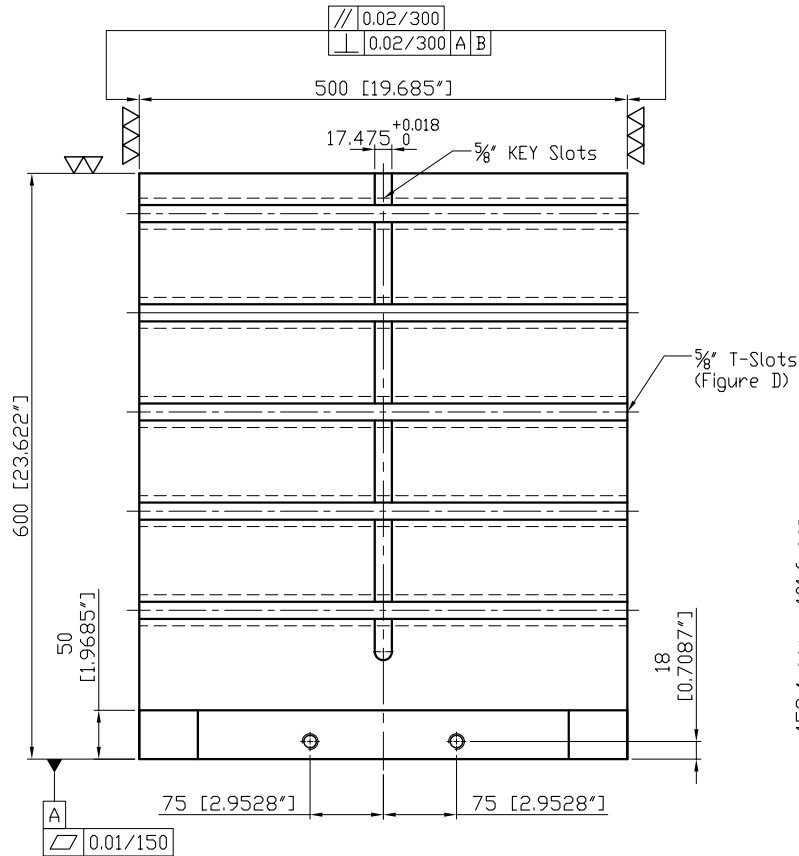


Figure D



Material FC300 CAST IRON		Heat treatment Annealing Process		Surface treatment		
Drafted by S.C.H	Checked by	Approved by	Scale 1/1	Date 2009.04.28	Sheet 1/1	Edition B
			TITLE DOUBLE SIDED TOOLING COLUMN			
			DWG.ND. 10-BP12-500500-0600-5			