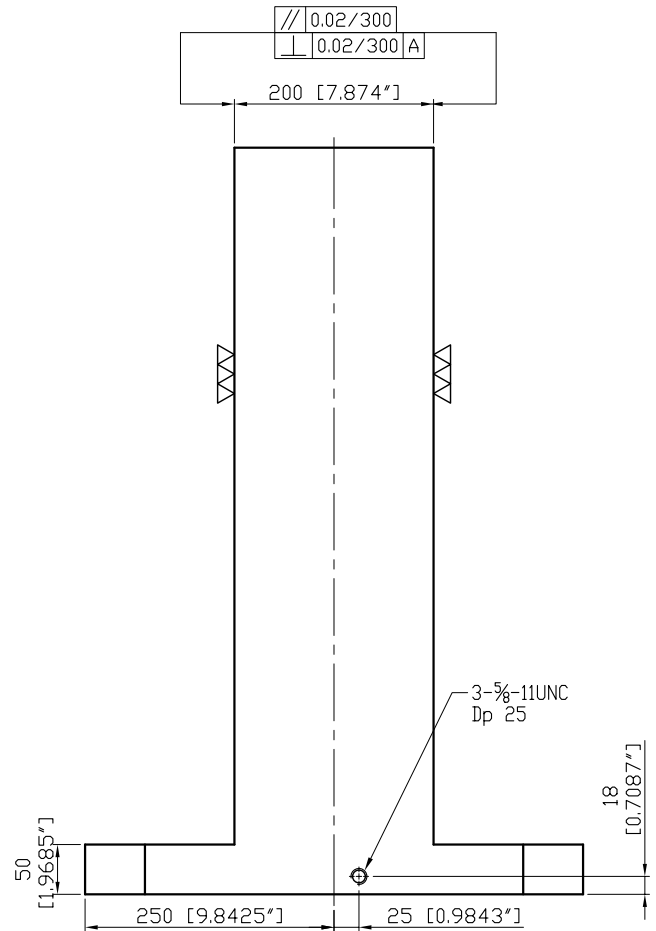
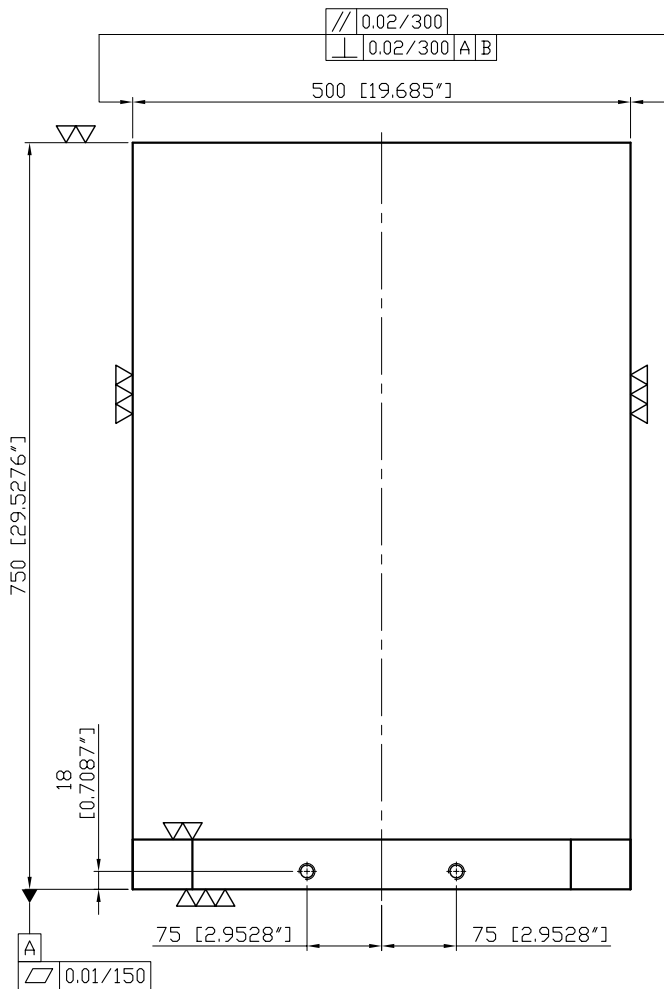


Figure A



*Edge chamfered C2

Material FC300 CAST IRON		Heat treatment Annealing Process		Surface treatment		
Drafted by S.C.H	Checked by	Approved by	Scale 1/1	Date 2009.04.27	Sheet 1/1	Edition B
			TITLE DOUBLE SIDED TOOLING COLUMN			
			DWGNO. 10-BP10-500500-0750			