

Figure A

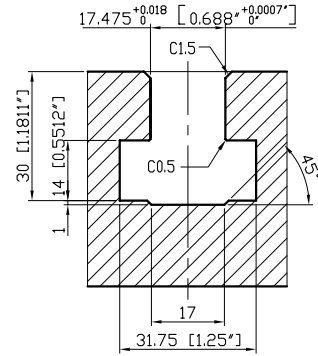
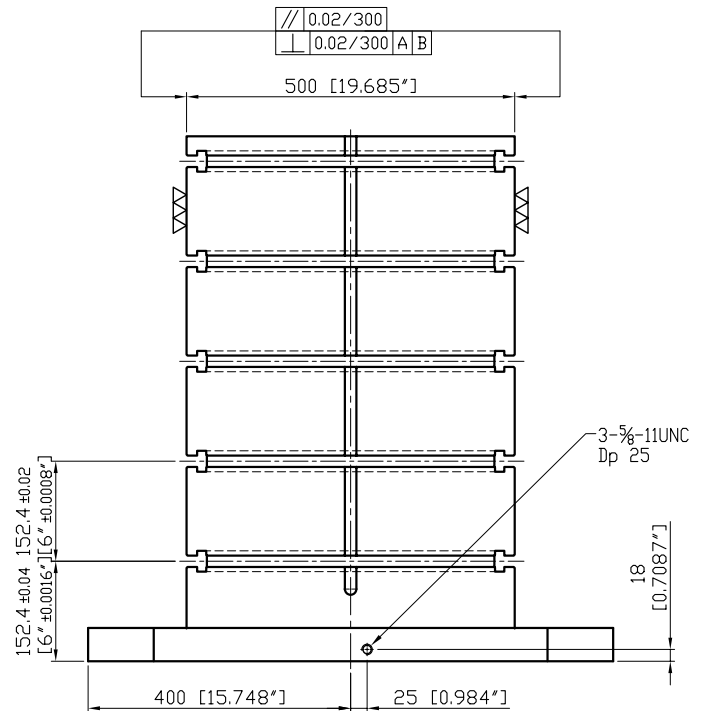
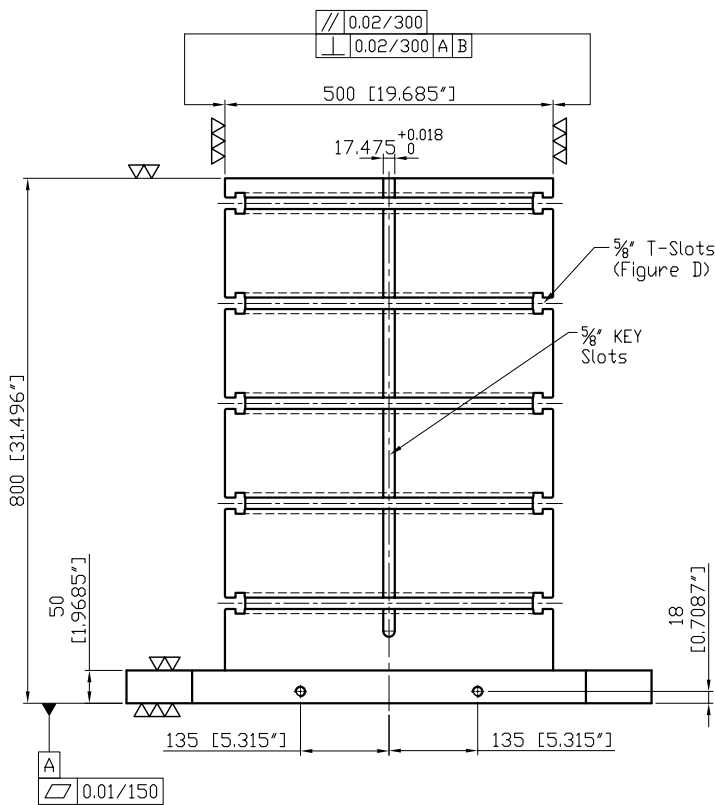


Figure D



Material FC300 CAST IRON		Heat treatment Annealing Process		Surface treatment		
Drafted by S.C.H	Checked by	Approved by	Scale 1/1	Date 2009.05.12	Sheet 1/1	Edition B
			TITLE SQUARE TOOLING COLUMN			
			DWG.ND. 10-BP09-800800-0800-5			