

Figure A

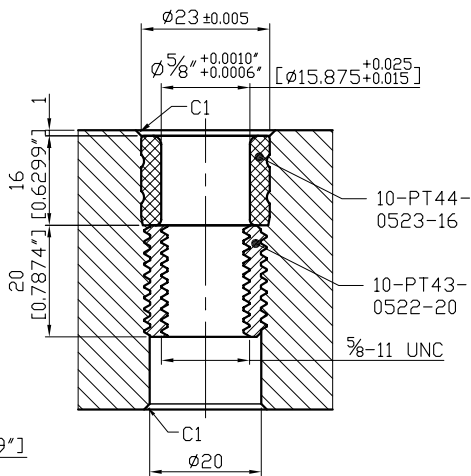


Figure B

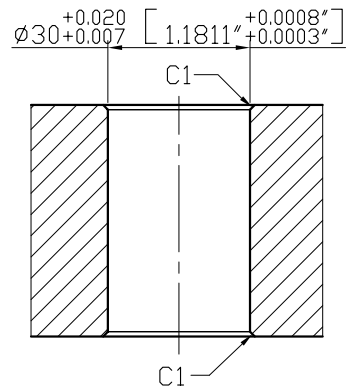


Figure C

*Edge chamfered C2

Material FC300		Heat treatment Annealing Process		Surface treatment		
Drafted by S.C.H	Checked by	Approved by	Scale 1/1	Date 2009.06.12	Sheet 1/1	Edition A
LEAVE INDUSTRIAL CO., LTD.			TITLE ROUND BASE PLATE			
			DWG.ND. 10-BP17-50-0600-5			