

Figure D

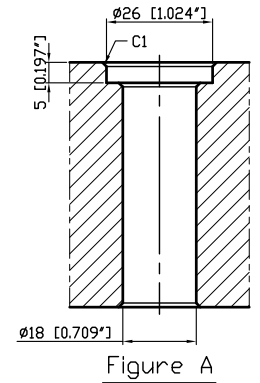
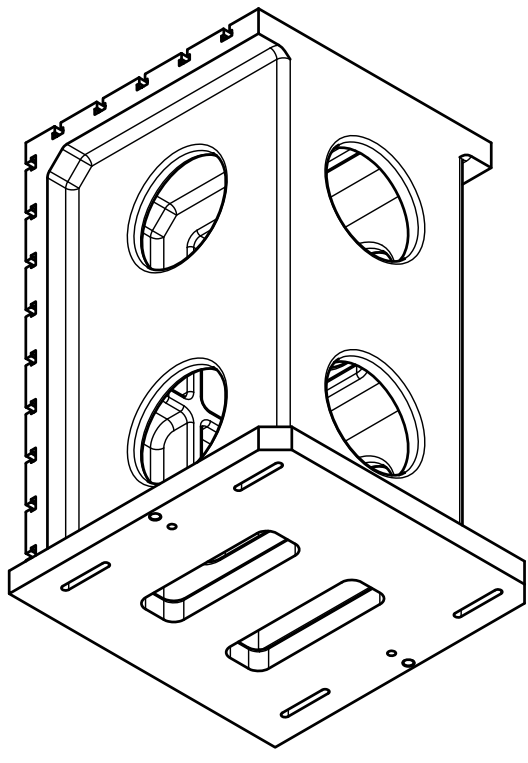
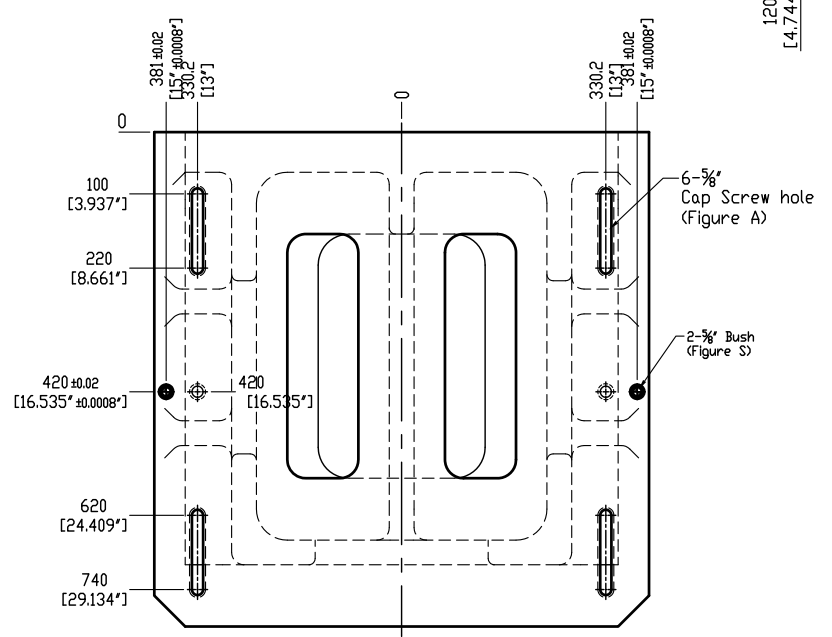
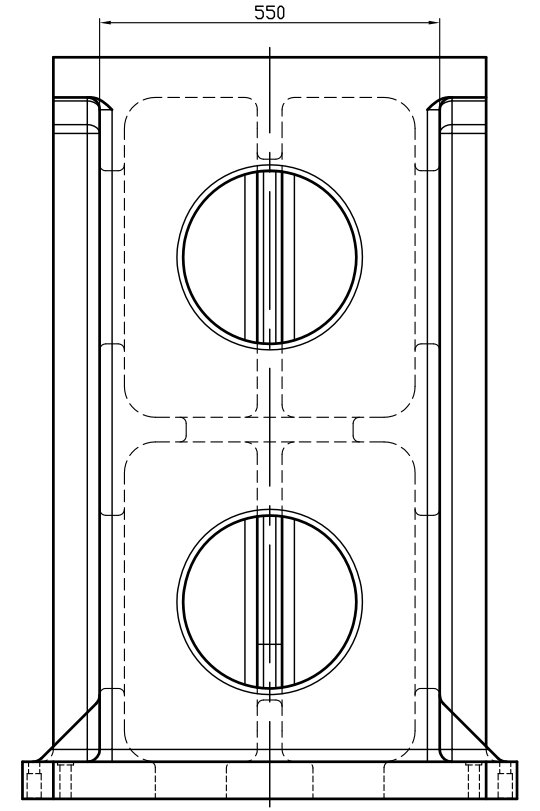
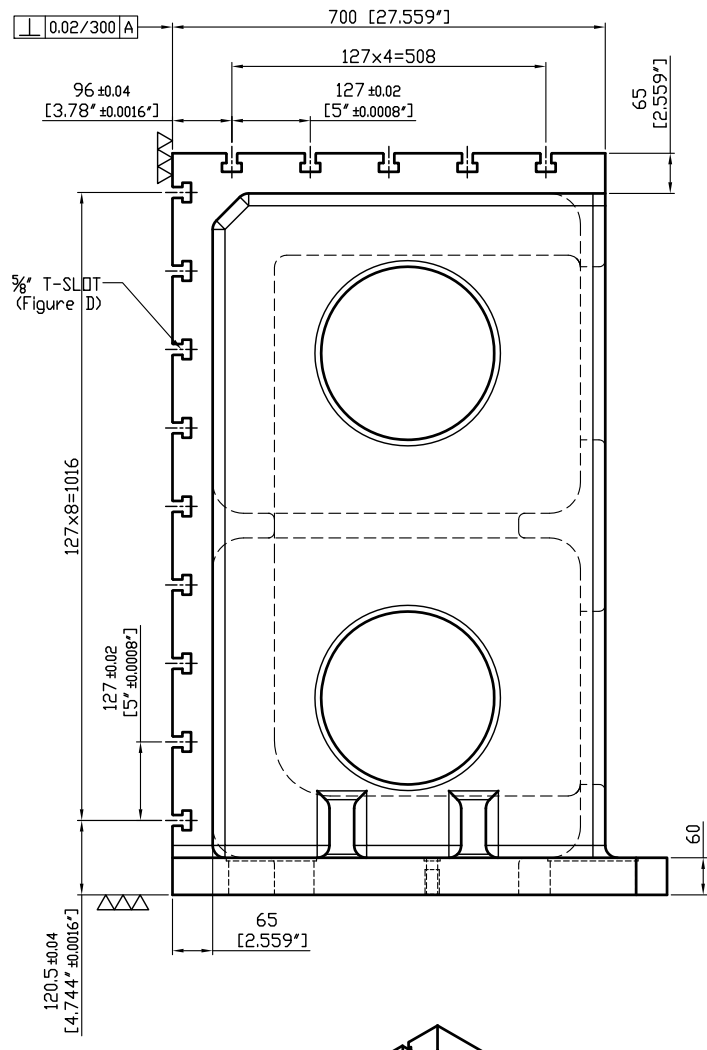
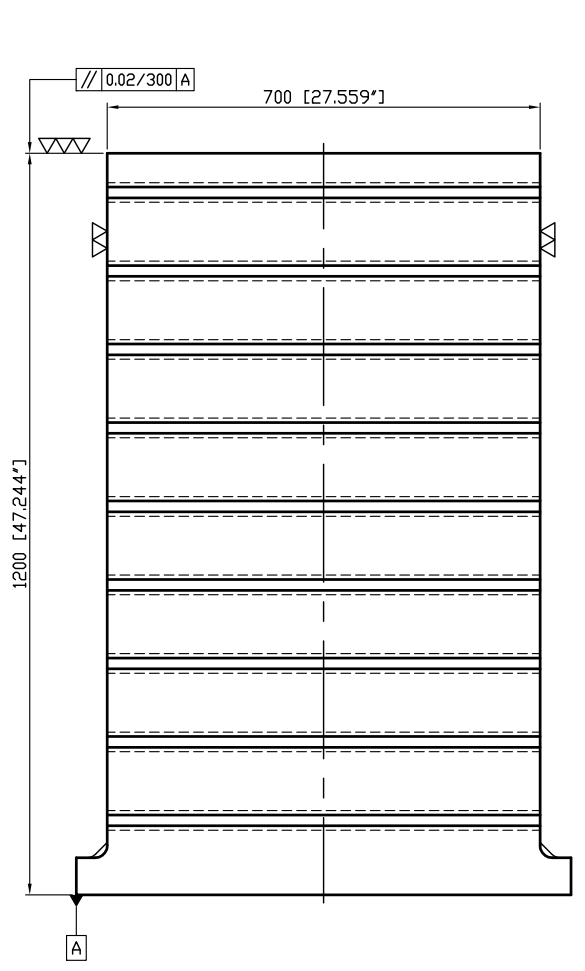
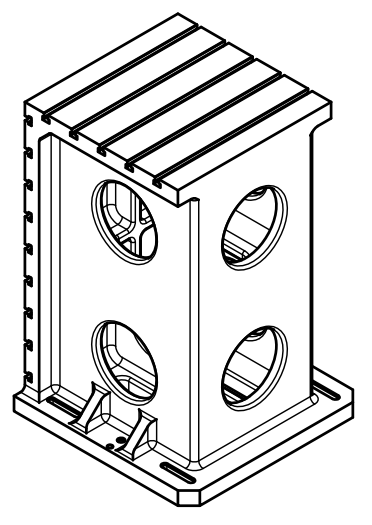
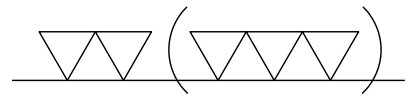
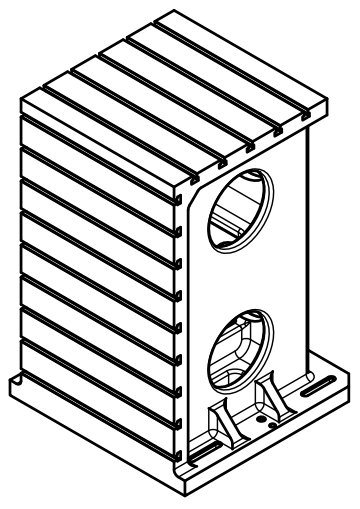


Figure A

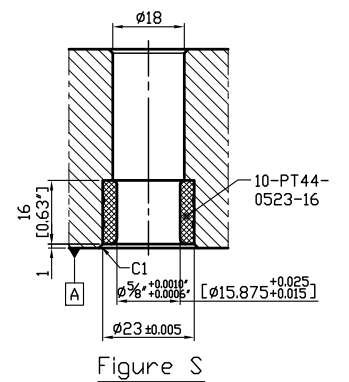



Figure S

*Edge chamfered C2

GW:1618KG
NW:1404KG

Material FC300 CAST IRON		Heat treatment Annealing Process		Surface treatment		
Drafted by S.C.H	Checked by	Approved by	Scale 1/1	Date 2019.05.15	Sheet 1/1	Edition C
 LEAVE INDUSTRIAL CO., LTD.			TITLE M/C ANGLE PLATE			
			DWG.NO. 10-BP22S-B1200			

ACCESSORY ITEMS INCLUDED AS REQUIRED FOR TOMBSTONES / ANGLE PLATES
EYEBOLTS
TOP COVER
TOP COVER SCREWS