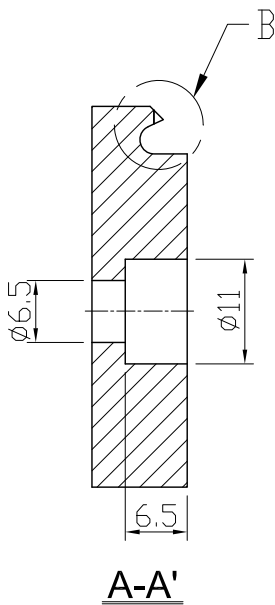
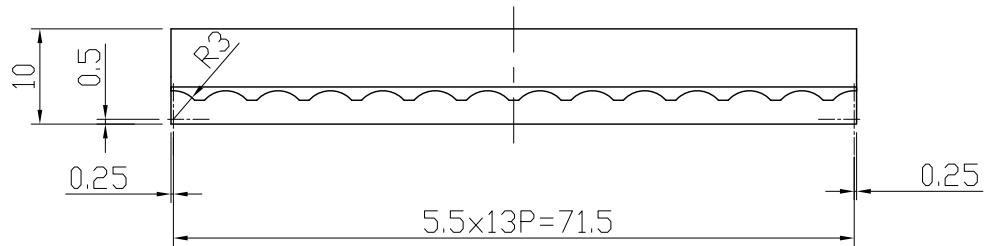
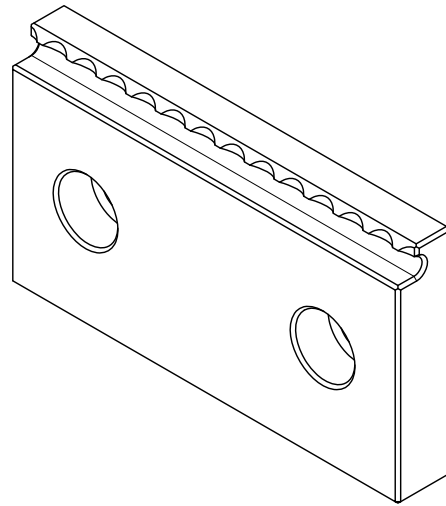
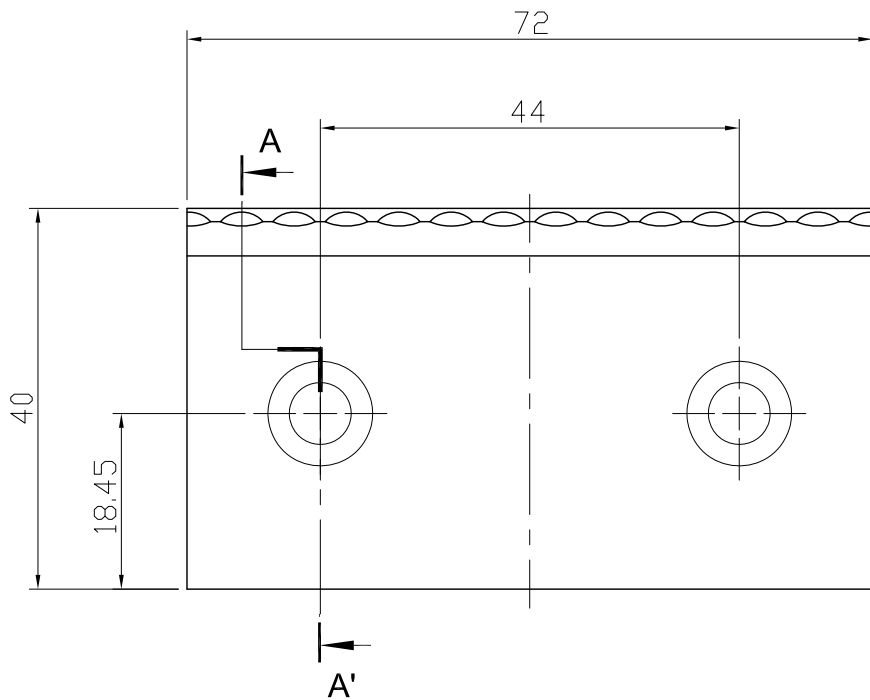



B Figure



A-A'



\*Edge chamfered C0.5

Material	SNCM21	Heat treatment	HRC 56°~60°	Surface treatment	Black Oxide
Drafted by	C.Y	Checked by	Approved by	Scale	1/1
				Date	2021.09.09
				Sheet	1/1
				Edition	D
 LEAVE INDUSTRIAL CO., LTD.				TITLE	
				Serrated Step Jaw	
				DWG.ND.	
				SVF-S09-72-5	