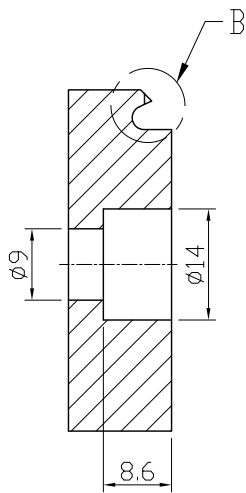
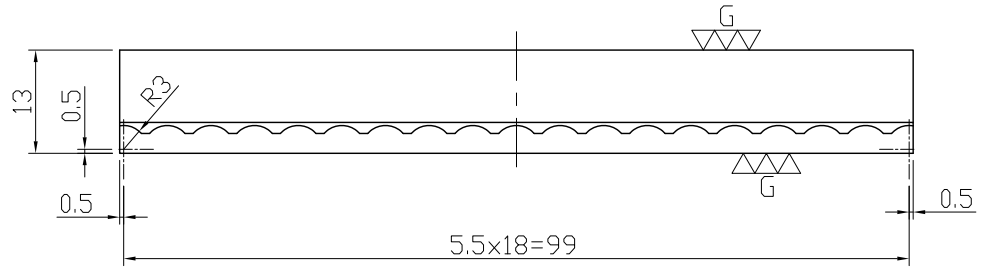
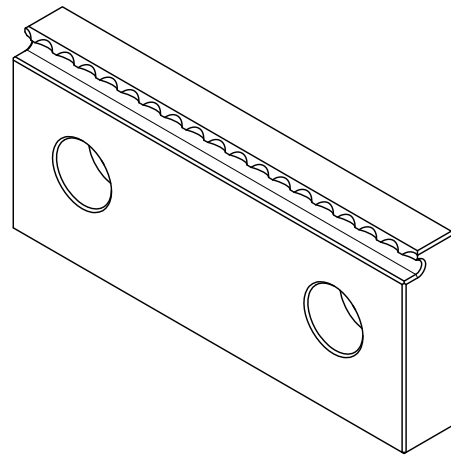
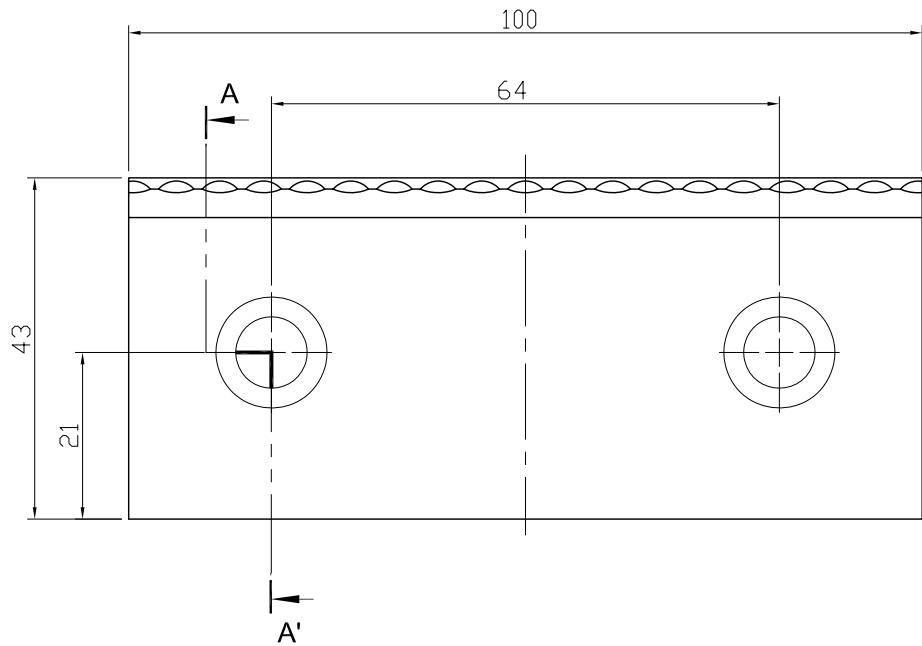


B Figure



A-A'



\*Edge chamfered C0.5

Material	SNCM21		Heat treatment	HRC 56°~60°		Surface treatment		
						Grind after Black Oxide		
Drafted by	Checked by	Approved by		Scale	Date	Sheet	Edition	
C.Y				1/1	2021.10.19	1/1	B	
				TITLE				
				Serrated Step Jaw				
				DWG.ND.				
				SVF-S09-100-5				