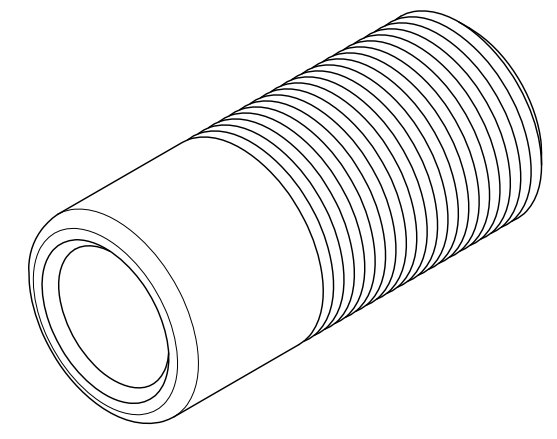
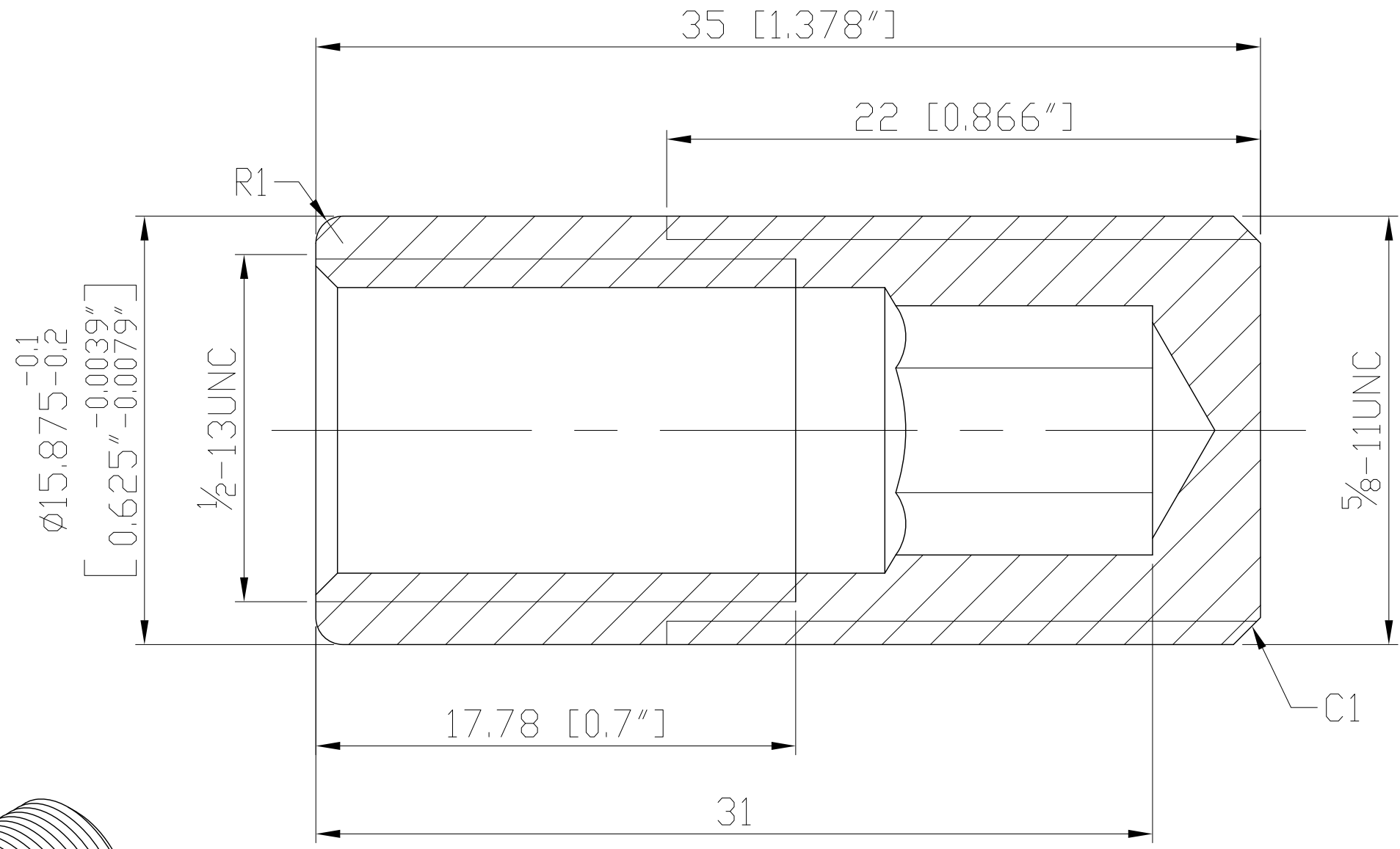
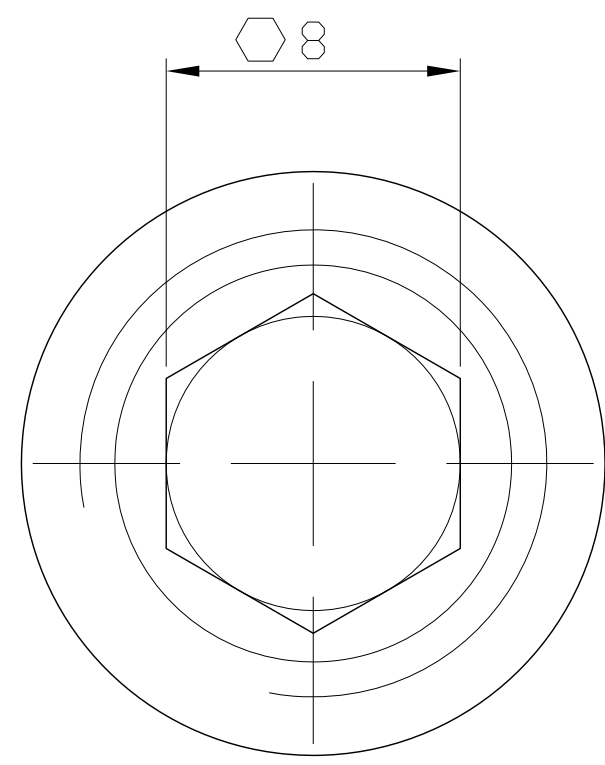
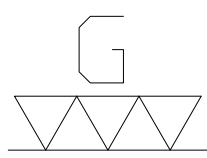


1 2 3 4 5 6 7 8 9 10 11 12 13 14 15 16 17 18 19 20 21 22 23 24 25 26 27 28

A B C D E F G H I J K L M N O P Q R S T



Material		SCM435		Heat treatment		HRC 55°		Surface treatment			Black Oxide		
Drafted by		Checked by		Approved by		Scale		Date		Sheet		Edition	
KENZI						1/1		2014.12.04		1/1		B	
						TITLE							
						DWG.NO. X-XL-PT43-141202-1							

1 2 3 4 5 6 7 8 9 10 11 12 13 14 15 16 17 18 19 20 21 22 23 24 25 26 27 28

T