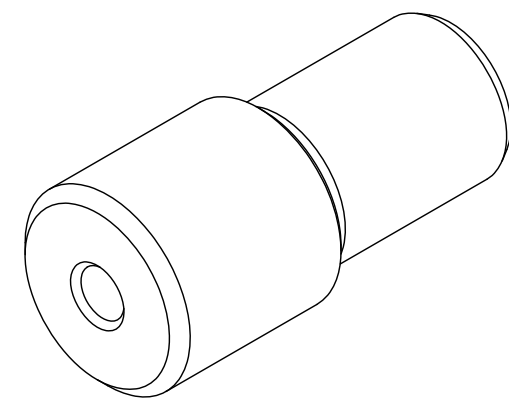
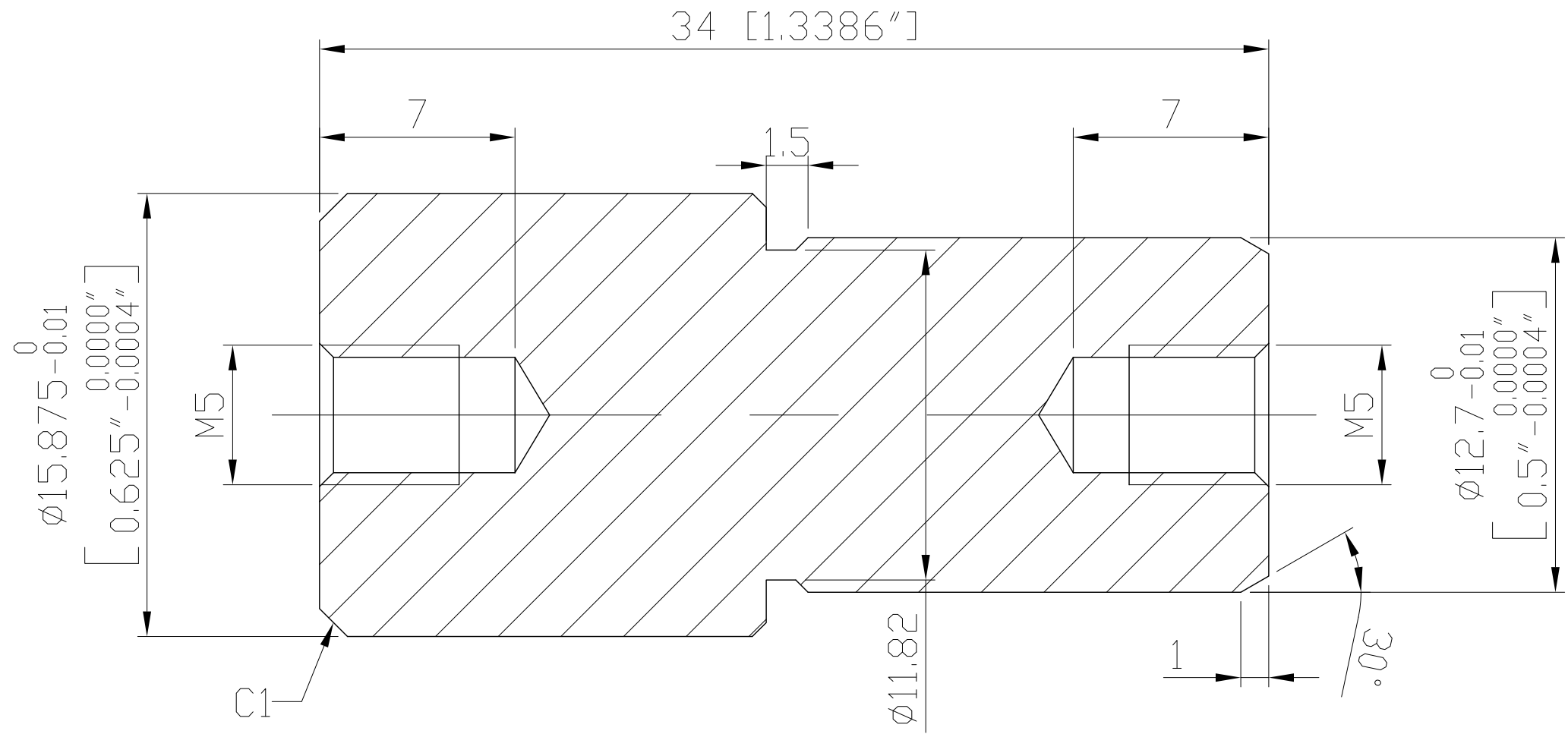
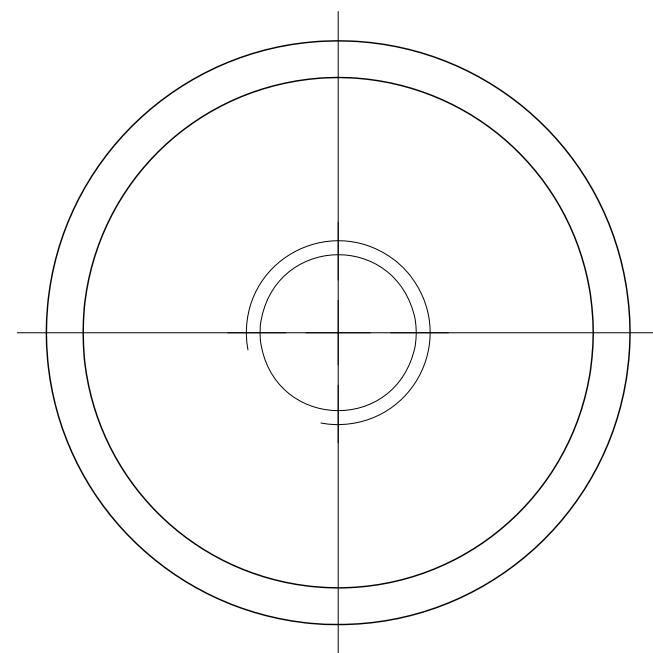
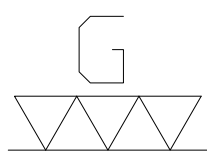


1 2 3 4 5 6 7 8 9 10 11 12 13 14 15 16 17 18 19 20 21 22 23 24 25 26 27 28

A B C D E F G H I J K L M N O P Q R S T



Material		SCM435		Heat treatment		HRC 55°		Surface treatment			Black Oxide					
Drafted by		KENZI		Checked by		Approved by			Scale	1/1	Date	2014.12.02	Sheet	1/1	Edition	A
								TITLE								
								DWG.NO.				X-XL-PT32-141202-1				

1 2 3 4 5 6 7 8 9 10 11 12 13 14 15 16 17 18 19 20 21 22 23 24 25 26 27 28

T S R Q P O N M L K J I H G F E D C B A