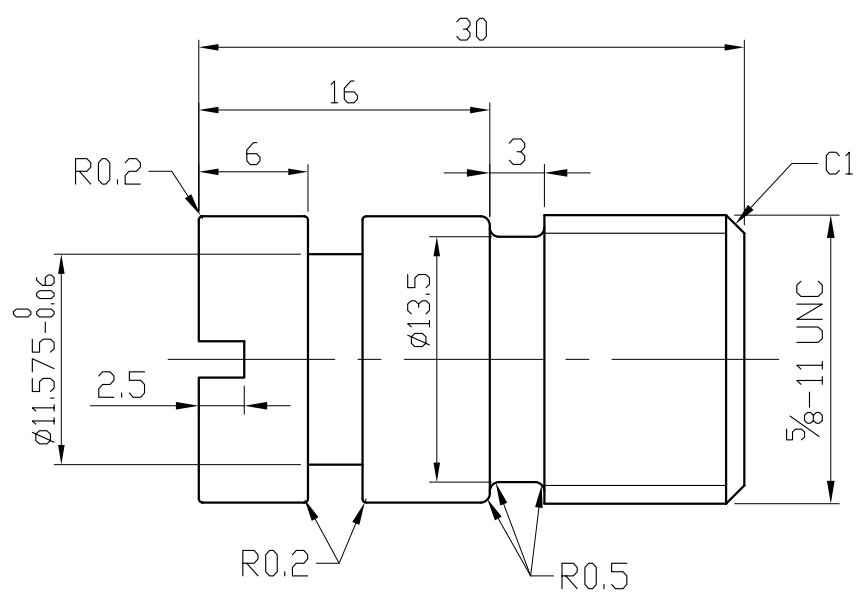
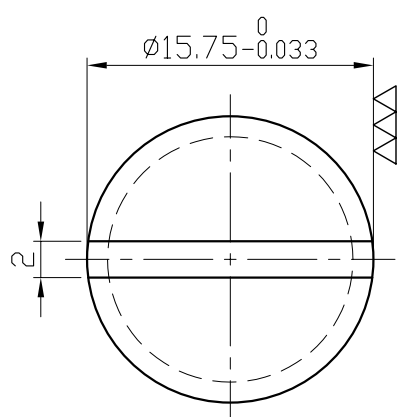



4-11-DR-P11.2-2.4



Material A6061T6		Heat treatment			Surface treatment			
Drafted by S.C.H	Checked by	Approved by	Scale 1/1	Date 2010.10.04	Sheet 1/1	Edition A		
 LEAVE INDUSTRIAL CO., LTD.			TITLE PROTECTION PLUG					
			DWG.ND. 10-PT34-05-AL					