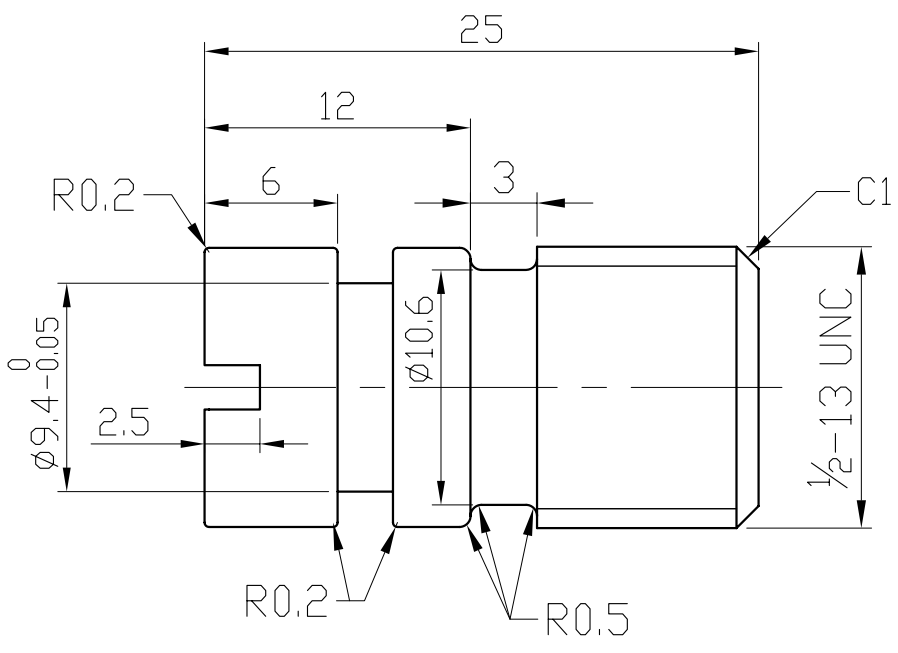
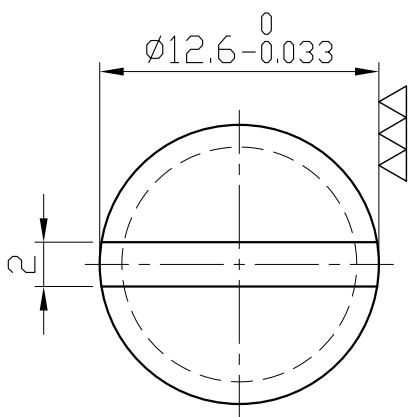



4-11-OR-P9-1.9



Material A6061T6		Heat treatment			Surface treatment			
Drafted by S.C.H	Checked by	Approved by	Scale 1/1	Date 2010.10.04	Sheet 1/1	Edition A		
 LEAVE INDUSTRIAL CO., LTD.			TITLE PROTECTION PLUG					
			DWG.ND. 10-PT34-04-AL					