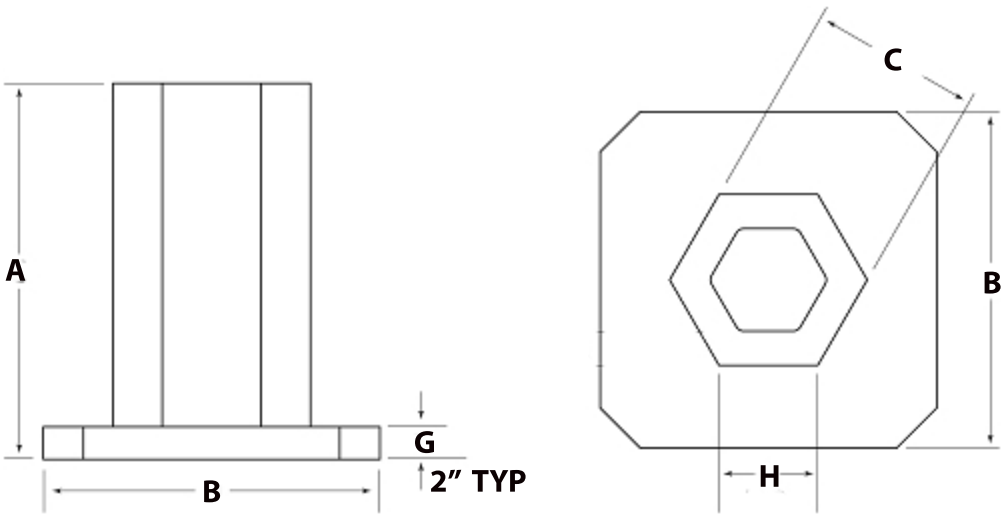


# BP31 HEX QUOTE SHEET



A	
B	
C	
H	
G	

COMPANY	
REQUESTED BY	
PHONE #	
EMAIL	