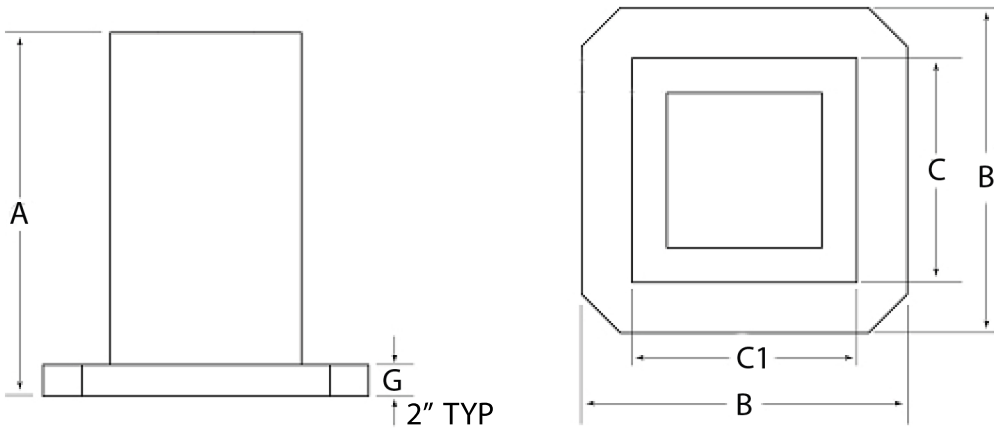


BP07 SQUARE TOMBSTONE QUOTE SHEET



A	
B	
C	
C1	
G	

COMPANY	
REQUESTED BY	
PHONE #	
EMAIL	